

# CEL-FI™ QUATRA RED

DATA SHEET

MODEL NUMBER:  
C21-200-100

## Donor Antenna Sensor

ERCES Solution



The Cel-Fi Donor Antenna Sensor enables donor antenna monitoring required by NFPA and IFC codes to any antenna used with the QUATRA RED Network Unit.



### Physical Specifications

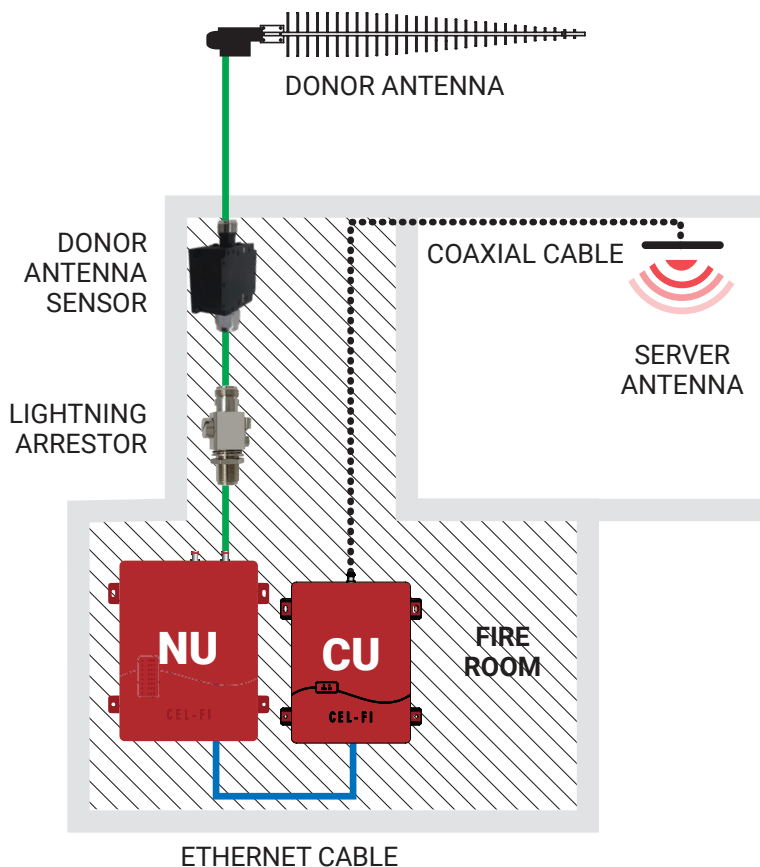
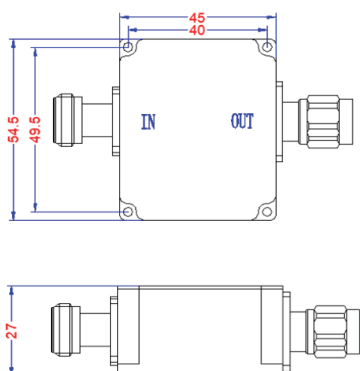
Frequency Range	0.45 ~ 2.7GHz
Insertion Loss	≤ 0.5dB
VSWR	≤ 1.3:1
Waterproof Level	IP65
PIM&2*30dBm	≤ -125dBC
Impedance	50 Ω
Operating Temperature	-35°C ~ +55°C
Connector	RF: N-F N-M

### Compatible with:

F42-67ENU	Cel-Fi QUATRA RED Network Unit Class A
F42-67ENUB	Cel-Fi QUATRA RED Network Unit Class B

### Physical Dimensions (mm)

45 x 54.5 x 27
----------------



### IMPORTANT

The Donor Antenna Sensor will work with any antenna that presents as a DC open. If the antenna is shorted at DC, a DC block must be inserted between the antenna and sensor.

Copyright © 2021 by Nextivity, Inc, U.S. All rights reserved. The Nextivity and Cel-Fi logos are registered trademarks of Nextivity Inc. All other trademarks or registered trademarks listed belong to their respective owners. Designed by Nextivity in California. data\_quatra-red-donor-antenna-sensor\_eng\_21-0412